



389 MAXWELL CRESCENT
Regina, SK S4N 5X9
www.rmiseng.ca
Phone 306.352.4606
Fax 306.352.4607



WESTRIDGE
COMMUNITY CENTRE
C.13.MB.35-18.04.03

3 MARSHALL CRESCENT
WINNIPEG, MB R3T 4C3

CITY OF WINNIPEG

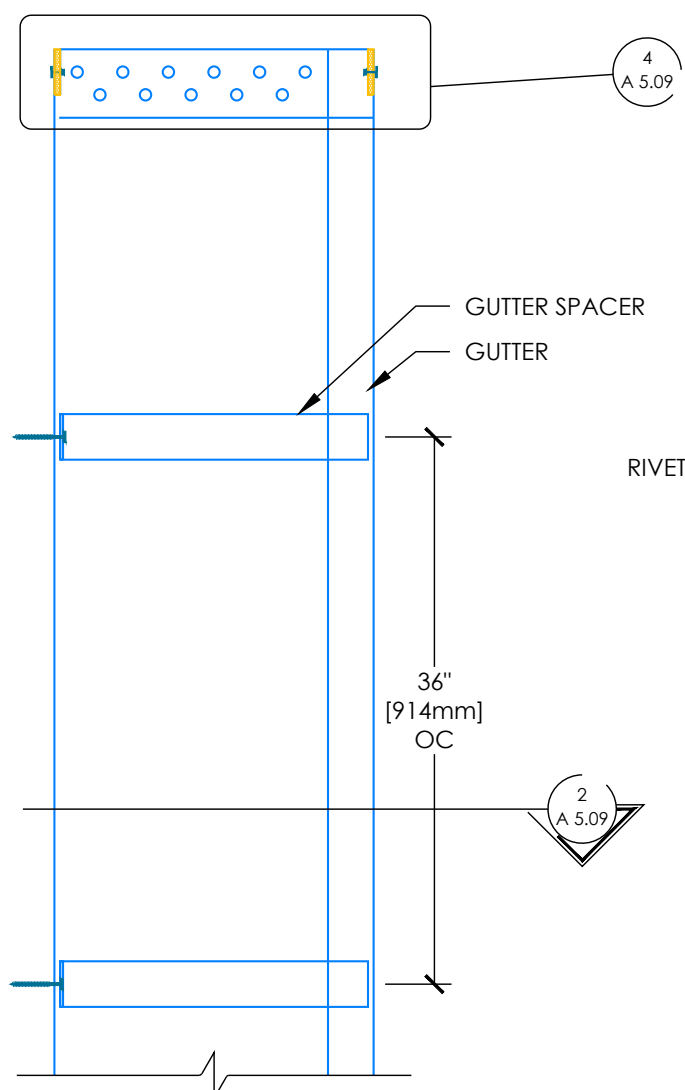
4TH FLOOR - 185 KING STREET
WINNIPEG, MB R3B 1J1

No.	DATE	DESCRIPTION

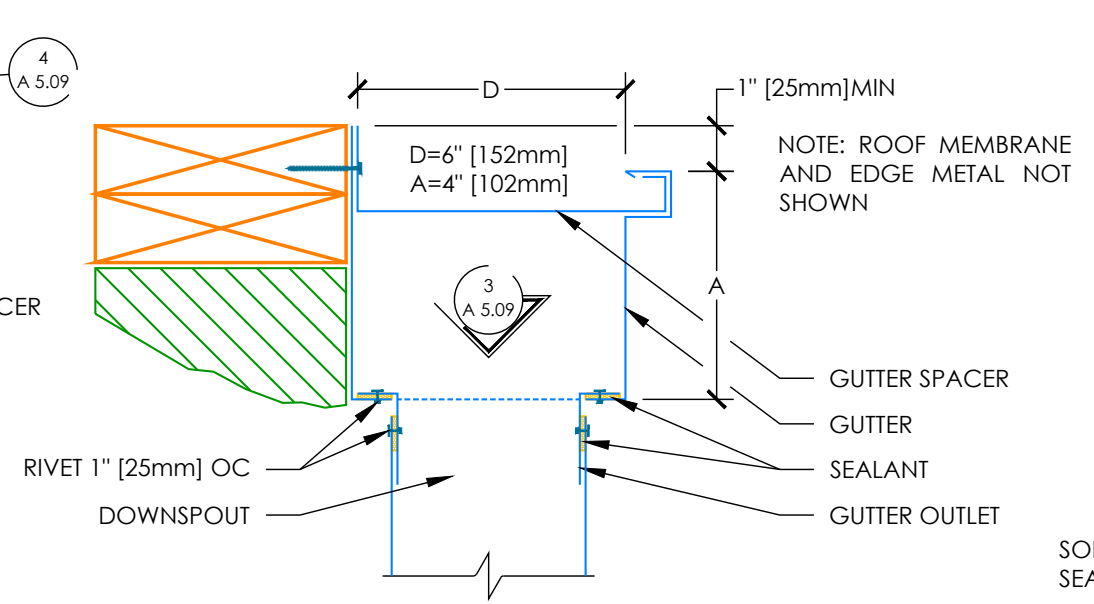
DESIGNED BY | SMC | 04/17/2018
DRAWN BY | SED | 04/17/2018
REVIEWED BY | SMC | 04/17/2018

GUTTER
DETAILS

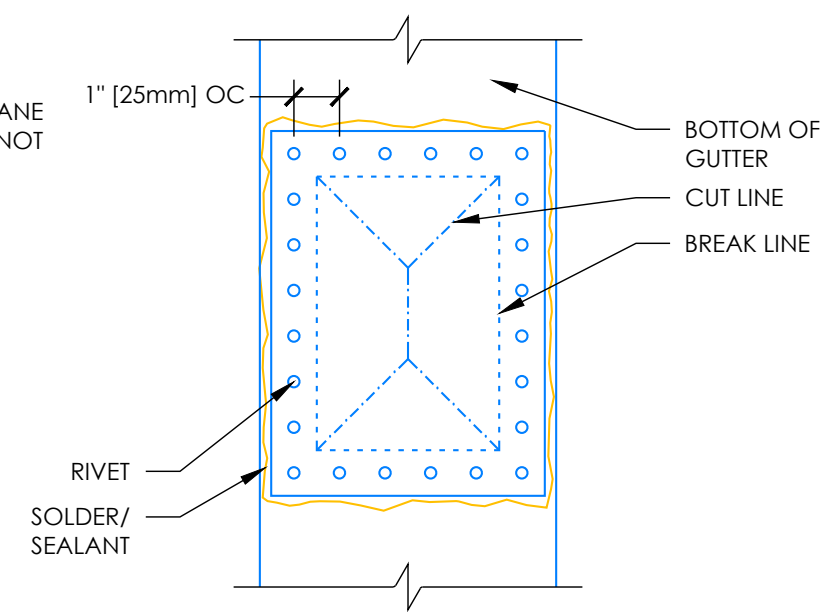
A 5.09



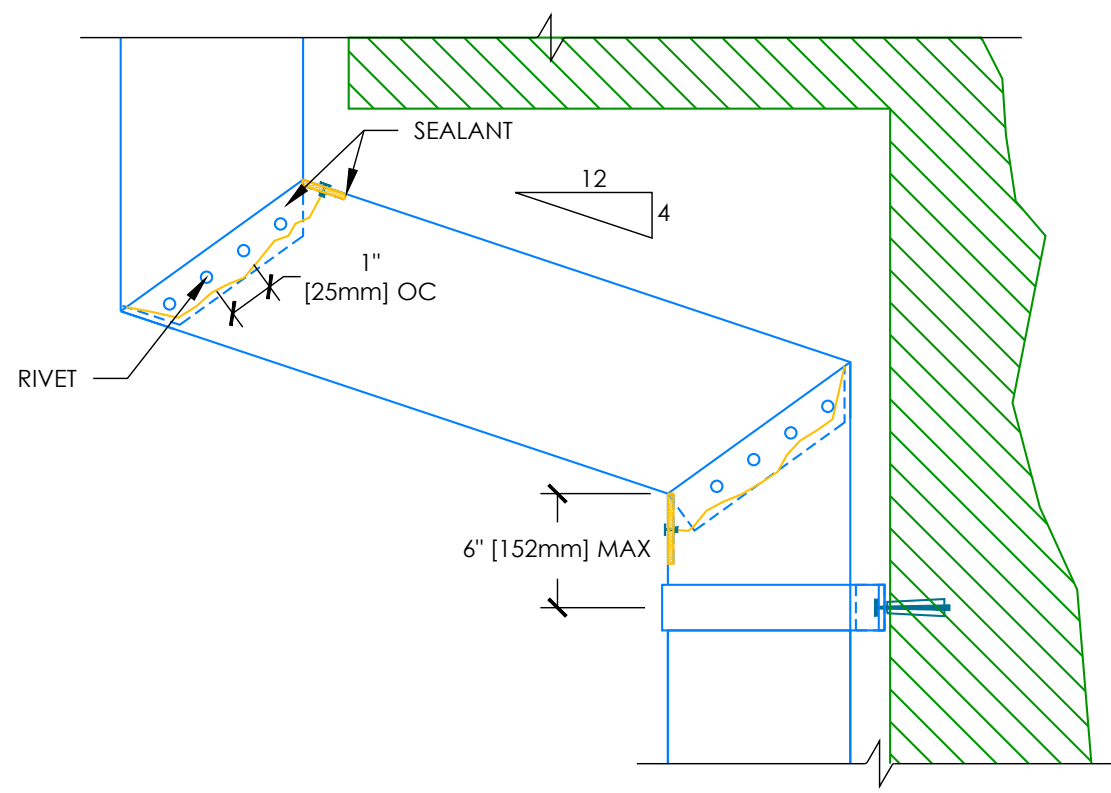
1 GUTTER PLAN VIEW
NTS



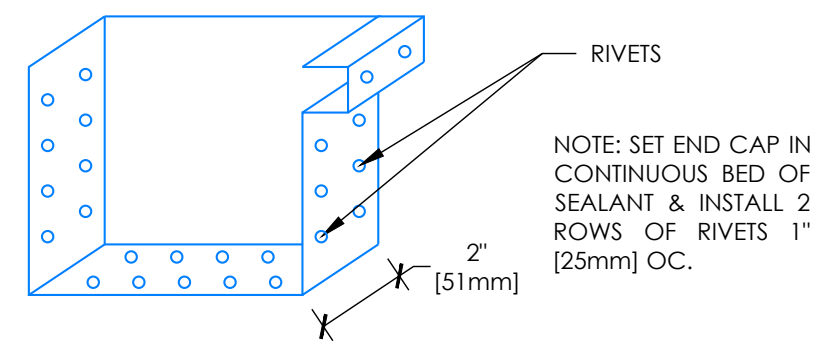
2 GUTTER SECTION
NTS



3 GUTTER OUTLET
NTS



5 DOWNSPOUT PROFILE
NTS



4 GUTTER END CLOSURE
NTS